



SOLO KC2003.01.0000E

Seat&Cover

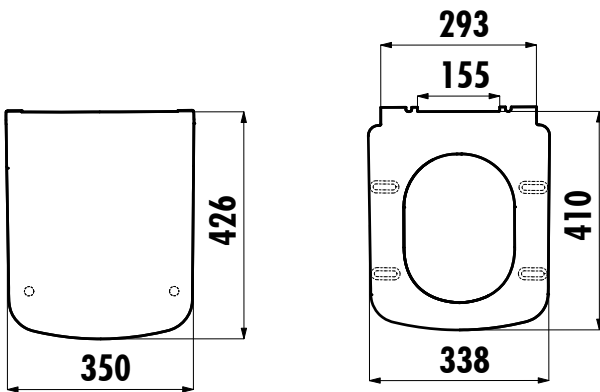
KC2003.01.0000E

Solo Duroplast Soft Closing
Seat&Cover

Weight

2,6 kg

TECHNICAL DRAWING



SPECIFICATIONS



Creavit keeps its rights of making any change to the products.



Quality
Management
Systems



Customer Satisfaction
Certificate



Certificate
Environmental
Management
System



Occupational Safety &
Health Management
System

LGA

Germany Accreditation
Certificate

kiwa

Netherlands
Accreditation Certificate

GOST - R

Russia Accreditation
Certificate

UkrSEPRO

Ukraine Accreditation
Certificate



Israel
Accreditation
Certificate



Nigeria Accreditation
Certificate



European Accreditation
Certificate



Turkish
Accreditation
Certificate